

Gaussian Process Models for Systems Identification

Juš Kocijan

Abstract—Different models can be used for nonlinear dynamic systems identification and the Gaussian process model is a relatively new option with several interesting features: model predictions contain the measure of confidence, the model has a small number of training parameters and facilitated structure determination, and different possibilities of including prior knowledge exist. In this paper the framework for the identification of a dynamic system model based on the Gaussian processes is presented and a short survey with a comprehensive bibliography of published works on application of Gaussian processes for modelling of dynamic systems is given.

I. INTRODUCTION

While there are numerous methods for the identification of linear dynamic systems from measured data, the nonlinear systems identification requires more sophisticated approaches. The most common choices include artificial neural networks, fuzzy models and others. Gaussian process (GP) models present a new, emerging, complementary method for nonlinear system identification.

The GP model is a probabilistic, non-parametric black-box model. It differs from most of the other black-box identification approaches as it does not try to approximate the modelled system by fitting the parameters of the selected basis functions but rather searches for the relationship among measured data. Gaussian process models are closely related to approaches such as Support Vector Machines and specially Relevance Vector Machines [3].

The output of the Gaussian process model is a normal distribution, expressed in terms of mean and variance. The mean value represents the most likely output and the variance can be interpreted as the measure of its confidence. The obtained variance, which depends on the amount and quality of available identification data, is important information distinguishing the GP models from other methods. The GP model structure determination is facilitated as only the covariance function and the regressors of the model need to be selected. Another potentially useful attribute of the GP model is the possibility to include various kinds of prior knowledge into the model, see *e.g.* [46] for the incorporation of local models and the static characteristic. Also the number of model parameters, which need to be optimised is smaller than in other black-box identification approaches. The disadvantage of the method is the potential computational burden for optimization that increases with amount of data and number of regressors.

The GP model was first used for solving a regression problem in the late seventies, but it gained popularity within

the machine learning community in the late nineties of the twentieth century. Results of a possible implementation of the GP model for the identification of dynamic systems were presented only recently, *e.g.* [11], [54]. The investigation of the model with uncertain inputs, which enables the propagation of uncertainty through the model, is given in [20], [33], [39] and illustrated in [27], [47] and many others.

The purpose of this paper is twofold. First, to present the procedure of dynamic system identification using the model based on Gaussian processes taken from [83]. Second, a comprehensive bibliography of published works on Gaussian processes application for modelling of dynamic systems with a short survey is given.

Many of dynamic systems are often considered as complex, however simplified input/output behaviour representations are sufficient for certain purposes, *e.g.* feedback control design, prediction models for supervisory control, *etc.* In the paper it is explained how the advantages of Gaussian process models can be used in identification and validation of such models.

The paper is organised as follows. In Section 2 basic principles of the GP model and its use in dynamic system identification are described. The methodology of the identification with a GP model is given in Section 3. Section 4 contains a short survey of comprehensive bibliography on GP modelling of dynamic systems. In the last section the discussion and main conclusions are gathered.

II. MODELLING OF DYNAMIC SYSTEMS WITH GAUSSIAN PROCESSES

A. Modelling with the GP model

Here, modelling with the GP model is presented only in brief, for a more detailed explanation see *e.g.* [79].

A Gaussian process is a Gaussian random function, fully described by its mean and variance. Gaussian processes can be viewed as a collection of random variables $f(\mathbf{x}_i)$ with joint multivariate Gaussian distribution: $f(\mathbf{x}_1), \dots, f(\mathbf{x}_n) \sim \mathcal{N}(0, \mathbf{K})$. Elements K_{ij} of the covariance matrix \mathbf{K} are covariances between values of the function $f(\mathbf{x}_i)$ and $f(\mathbf{x}_j)$ and are functions of corresponding arguments \mathbf{x}_i and \mathbf{x}_j : $K_{ij} = C(\mathbf{x}_i, \mathbf{x}_j)$. Any function $C(\mathbf{x}_i, \mathbf{x}_j)$ can be a covariance function, providing it generates a nonnegative definitive covariance matrix \mathbf{K} .

Certain assumptions about the process are made implicitly with the covariance function selection. The *stationarity of the process* results in the value of covariance function $C(\mathbf{x}_i, \mathbf{x}_j)$ between inputs \mathbf{x}_i and \mathbf{x}_j depending only on their distance and being invariant to their translation in the input space, see *e.g.* [79]. *Smoothness of the output* reflects in outputs

J. Kocijan is with Jozef Stefan Institute, Ljubljana, Slovenia and with University of Nova Gorica, Nova Gorica, Slovenia
jus.kocijan@ijs.si

$f(\mathbf{x}_i)$ and $f(\mathbf{x}_j)$ having higher covariance when inputs \mathbf{x}_i and \mathbf{x}_j are closer together. The common choice [79] for the covariance function, representing these assumptions, is the Gaussian covariance function:

$$\begin{aligned} C(\mathbf{x}_i, \mathbf{x}_j) &= \text{cov}[f(\mathbf{x}_i), f(\mathbf{x}_j)] \\ &= v \exp \left[-\frac{1}{2} \sum_{d=1}^D w_d (x_i^d - x_j^d)^2 \right] + \delta_{ij} v_0 \end{aligned} \quad (1)$$

where D is the length of vector \mathbf{x} and $\Theta = [w_1, \dots, w_D, v, v_0]^T$ is a vector of parameters called hyperparameters.¹ The first term in (1) corresponds to functional dependance under presumed stationarity, while the second term corresponds to noise. Hyperparameter v controls the magnitude of the covariance and hyperparameters w_i represent the relative importance of each component x^d of vector \mathbf{x} . The part $\delta_{ij} v_0$ represents the covariance between outputs due to white noise, where δ_{ij} is the Kronecker operator and v_0 is the white noise variance. When assuming different kinds of noise the covariance function should be changed appropriately, *e.g.* [8]. With the use of covariance function (1) the total number of the GP model parameters is $D+2$ for the size D input, where for example the number of comparable artificial neural networks parameters would be considerably larger.

The GP model fits nicely into the Bayesian modelling framework. The idea behind GP modelling is to place the prior directly over the space of functions instead of parameterizing the unknown function $f(\mathbf{x})$ [79]. The simplest type of such a prior is Gaussian. Consider the system

$$y(k) = f(\mathbf{x}(k)) + \epsilon(k) \quad (2)$$

with white Gaussian noise $\epsilon(k) \sim \mathcal{N}(0, v_0)$ with variance v_0 and the vector of regressors $\mathbf{x}(k)$ from operating space \mathcal{R}^D . We put the GP prior with covariance function (1) with unknown hyperparameters on the space of functions $f(\cdot)$.

Within this framework we have $y_1, \dots, y_N \sim \mathcal{N}(0, \mathbf{K})$ with $\mathbf{K} = \Sigma + v_0 \mathbf{I}$, where \mathbf{I} is $N \times N$ identity matrix. Based on a set of N training data pairs $\{\mathbf{x}_i, y_i\}_{i=1}^N$ we wish to find the predictive distribution of y_{N+1} corresponding to a new given input \mathbf{x}_{N+1} . For the collection of random variables $(y_1, \dots, y_N, y_{N+1})$ we can write:

$$\begin{pmatrix} \mathbf{y} \\ y_{N+1} \end{pmatrix} \sim \mathcal{N}(0, \mathbf{K}_{N+1}) \quad (3)$$

with covariance matrix

$$\mathbf{K}_{N+1} = \begin{bmatrix} \mathbf{K} & \mathbf{k}(\mathbf{x}_{N+1}) \\ \mathbf{k}(\mathbf{x}_{N+1})^T & k(\mathbf{x}_{N+1}) \end{bmatrix} \quad (4)$$

where $\mathbf{y} = [y_1, \dots, y_N]^T$ is an $N \times 1$ vector of training targets, $\mathbf{k}(\mathbf{x}_{N+1}) = [C(\mathbf{x}_1, \mathbf{x}_{N+1}), \dots, C(\mathbf{x}_N, \mathbf{x}_{N+1})]^T$ is

¹The parameters of a Gaussian process are called hyperparameters due to their close relationship to the hyperparameters of a neural network [79].

the $N \times 1$ vector of covariances between training inputs and the test input and $k(\mathbf{x}_{N+1}) = C(\mathbf{x}_{N+1}, \mathbf{x}_{N+1})$ is the autocovariance of the test input. We can divide this joint probability into a marginal and a conditional part. The marginal term gives us the likelihood of the training data: $\mathbf{y}|\mathbf{X} \sim \mathcal{N}(0, \mathbf{K})$, where \mathbf{X} is the $N \times D$ matrix of training inputs.

We need to estimate the unknown hyperparameters $\Theta = [w_1, \dots, w_D, v, v_0]^T$ of the covariance function (1). This is usually done via maximization of the log-likelihood

$$\begin{aligned} \mathcal{L}(\Theta) &= \log(p(\mathbf{y}|\mathbf{X})) = \\ &= -\frac{1}{2} \log(|\mathbf{K}|) - \frac{1}{2} \mathbf{y}^T \mathbf{K}^{-1} \mathbf{y} - \frac{N}{2} \log(2\pi) \end{aligned} \quad (5)$$

with the vector of hyperparameters Θ and $N \times N$ training covariance matrix \mathbf{K} . The optimization requires the computation of the derivative of \mathcal{L} with respect to each of the parameters:

$$\frac{\partial \mathcal{L}(\Theta)}{\partial \Theta_i} = -\frac{1}{2} \text{trace} \left(\mathbf{K}^{-1} \frac{\partial \mathbf{K}}{\partial \Theta_i} \right) + \frac{1}{2} \mathbf{y}^T \mathbf{K}^{-1} \frac{\partial \mathbf{K}}{\partial \Theta_i} \mathbf{K}^{-1} \mathbf{y} \quad (6)$$

Here, it involves the computation of the inverse of the $N \times N$ covariance matrix \mathbf{K} at every iteration, which can be computationally demanding for large N . The reader is referred to *e.g.* [79] for alternative methods of parameter optimisation.

Given that the hyperparameters are known, we can obtain a prediction of the GP model at the input \mathbf{x}_{N+1} . The conditional part of (3) provides the predictive distribution of y_{N+1} :

$$p(y_{N+1}|\mathbf{y}, \mathbf{X}, \mathbf{x}_{N+1}) = \frac{p(\mathbf{y}, y_{N+1})}{p(\mathbf{y}|\mathbf{X})} \quad (7)$$

It can be shown [79] that this distribution is Gaussian with mean and variance:

$$\begin{aligned} \mu(\mathbf{x}_{N+1}) &= \mathbf{k}(\mathbf{x}_{N+1})^T \mathbf{K}^{-1} \mathbf{y} \\ \sigma^2(\mathbf{x}_{N+1}) &= k(\mathbf{x}_{N+1}) - \mathbf{k}(\mathbf{x}_{N+1})^T \mathbf{K}^{-1} \mathbf{k}(\mathbf{x}_{N+1}) \end{aligned} \quad (8)$$

Vector $\mathbf{k}(\mathbf{x}_{N+1})^T \mathbf{K}^{-1}$ in (8) can be interpreted as a vector of smoothing terms which weights training outputs \mathbf{y} to make a prediction at the test point \mathbf{x}_{N+1} . If the new input is far away from the data points, the term $\mathbf{k}(\mathbf{x}_{N+1})^T \mathbf{K}^{-1} \mathbf{k}(\mathbf{x}_{N+1})$ in (9) will be small, so that the predicted variance $\sigma^2(\mathbf{x}_{N+1})$ will be large. Regions of the input space, where there are few data or are corrupted with noise, are in this way indicated through higher variance.

B. Dynamic system identification

The presented GP model was originally used for modelling static nonlinearities, but it can be extended to model dynamic systems as well [39], [54], [3]. Our task is to model the dynamic system (2), where

$$\mathbf{x} = [y(k-1), \dots, y(k-L), u(k-1), \dots, u(k-L)] \quad (10)$$

is the vector of regressors that determines nonlinear ARX model structure and be able to make multi-step ahead model prediction.

One way to do multi-step ahead prediction is to make iterative one-step ahead predictions up to desired step whilst feeding back the predicted output. Two general approaches to iterated one-step ahead prediction are possible using the GP model. In the first only the mean values of the predicted output are fed back to the input. In this, so called “naive” approach, the input vector \mathbf{x} into the GP model at time step k is:

$$\mathbf{x} = [\hat{y}(k-1), \dots, \hat{y}(k-L), u(k-1), \dots, u(k-L)] \quad (11)$$

Although this approach is approximate, as the variance of the lagged output estimates on the right-hand side of Equation (11) is neglected, it has been used when modelling dynamic systems with neural networks or fuzzy models. This way of generating multiple-step-ahead predictions is commonly referred to as ‘output error’ in the identification literature. However, it has been shown to lead to unrealistically small variances for the multiple-step-ahead predictions when modelling with GP models and with the predictive distribution calculated with Equations (8) and (9) [10].

In [10], [20], [33], [39], [54] the iterative, multiple-step-ahead prediction is done by feeding back the mean of the predictive distribution as well as the variance of the predictive distribution at each time-step, thus taking the uncertainty attached to each intermediate prediction into account. In this way, each input for which we wish to predict becomes a normally distributed random variable. However, this is still an approximation, as is explained in more detail in [39]. The illustration of such a dynamical model simulation is given in Figure 1.

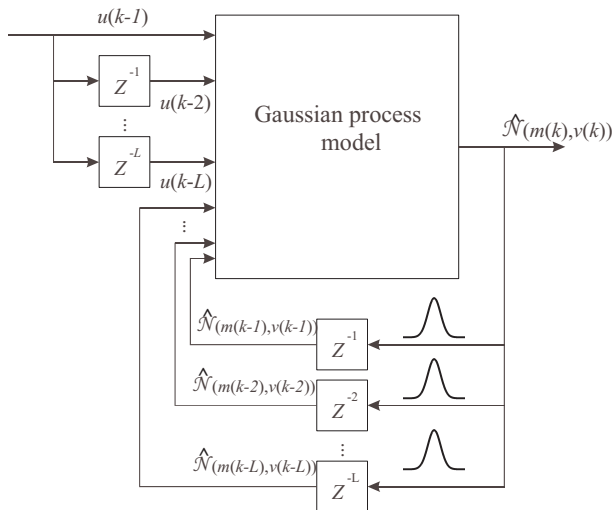


Fig. 1. Illustration of simulation principle for a Gaussian process model of dynamic system [53]

A demonstration of a Gaussian process model response is given in Figure 2.

III. GAUSSIAN PROCESS MODEL IDENTIFICATION METHODOLOGY

In this section the framework for dynamic system identification with GP models taken from [83] is given. The

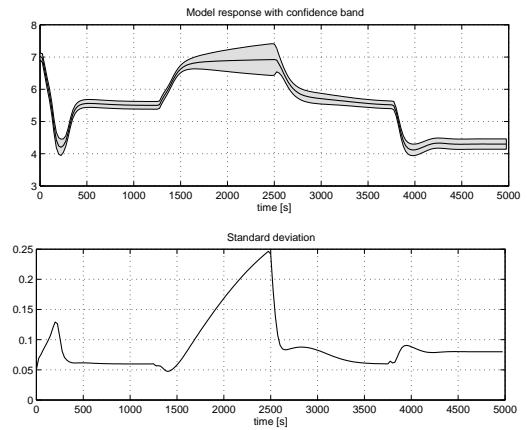


Fig. 2. Simulated response of a dynamic system modelled by Gaussian process model

identification framework consists of roughly six stages:

- defining the purpose of the model,
- model selection,
- design of the experiment,
- realisation of the experiment and data processing,
- training of the model and
- model validation.

The model identification is an iterative process. Returning to some previous procedure step is possible at any step in the identification process and is usually necessary.

A. The model purpose and model selection

The decision for the use of a specific model derives from the model purpose and from the limitations met at the identification process. In this paper selection of the GP model is presumed. This approach can be beneficial when the information about the system exists in the form of input/output data, when data are corrupted, *e.g.* by noise and measurement errors, when a measure of confidence in model prediction is required and when there is a relatively small amount of data in respect to the selected number of regressors.

After the model is selected, its structure must be determined next. In the case of the GP model this means selecting the covariance function and the model regressors. The choice of the covariance function reflects the relationship between data and is based on prior knowledge of the process. The standard choice for smooth and stationary processes is function (1). Prior knowledge about other attributes, *e.g.* periodicity, non-stationarity, can be expressed through a different choice of the covariance function [79].

The second part of structure determination is the choice of proper regressors. In the case of a dynamic system model this also means selecting the model order, which is the area of intensive research, as it is common to all nonlinear identification methods.

The most frequent approach for regressor selection is the so called *validation based regressor selection*, where the

search for the optimal vector of regressors is initiated from some basic set of regressors. After the model optimisation and cross-validation, the regressors are added to or taken from the model. Prospering models according to selected performance are kept while dissatisfying models are rejected. In the case of normalised inputs the influence of each regressor can be observed through the value of the associated hyperparameter. If the associated regressor is not relevant enough it can be removed from the perspective model.

B. Obtaining data – design of the experiment, experiment and data processing

Data describing the unknown system is very important in any black-box identification. For a good description of the process the influential variables and proper sample time must be chosen.

The design of the experiment and the experiment itself are, as is always the case in systems modelling, very important parts of the identification procedure. The quality of the model depends on the system information contained in the measurement data, regardless of the identification method. Nevertheless, the design of the experiment is not the focus of this paper.

As already mentioned the Gaussian process modelling approach relies on the relation among input/output data and not on approximation with basis functions. Consequently, this means that the distribution of identification data within the process operating region is crucial for the quality of the model. Model predictions can be informative only if the inputs to the model lie in the regions, where training data is available. The GP model is good for interpolation, but not for extrapolation, which is indicated by large variances of model predictions.

Consequently, the data for model training should be chosen reasonably, which can be obstructed by the nature of the process (*e.g.* limitations in the experiment design in industrial processes, physical limitations of the system). The preprocessing of measured data, such as normalisation to cancel the influence of different measuring scales, can be pursued.

C. Model training

In the GP model approach training means optimization of hyperparameters Θ from (1). Each hyperparameter w_d expresses the relative importance of the associated regressor, similar to the automatic relevant detection (ARD) method [79], where a higher value of w_d expresses higher importance of the regressor. Hyperparameter v expresses the overall scale of correlations and hyperparameter v_0 accounts for the influence of noise. Several possibilities of hyperparameter determination exist. A very rare possibility is that hyperparameters are known in advance as prior knowledge. Almost always, however, they must be determined from the training data, where different approaches are possible, *e.g.* [39]. Mostly the likelihood maximization (ML) approach is used as it gives good results despite its simplification, where any optimization method could be used to achieve ML [39].

D. Model validation

Validation concerns the level of agreement between the mathematical model and the system under investigation [2] and it is many times underemphasised despite its importance. Several features can represent the quality of the model. Their overview can be found *e.g.* in [2], [1]. The most important are model plausibility, model falseness and model purposiveness, explained as follows.

Model *plausibility* expresses the model's conformity with the prior process knowledge by answering two questions: whether the model "looks logical" and whether the model "behaves logical". The first question addresses the model structure, which in the case of GP models means mainly the plausibility of the hyperparameters. The second one is concerned with the responses of the model output to typical events on the input, which can be validated with visual inspection of the responses as is the case with other black-box models.

Model *falseness* reflects the agreement between the process and the model output or the process input and the output of the inverse model. The comparison can be done in two ways, both applicable to GP models: qualitatively, *i.e.* by visual inspection of differences in responses between the model and the process, or quantitatively, *i.e.* through evaluation of performance measures. Beside commonly used performance measures such as *e.g.* mean squared error MSE and mean relative square error (MRSE, which compares only the mean prediction of the model to the output of the process:

$$\text{MSE} = \frac{1}{N} \sum_{i=1}^N e_i^2 \quad (12)$$

$$\text{MRSE} = \sqrt{\frac{\sum_{i=1}^N e_i^2}{\sum_{i=1}^N y_i^2}} \quad (13)$$

where y_i and $e_i = \hat{y}_i - y_i$ are the system's output and prediction error in i -th step of simulation, the performance measures such as log predictive density error (LD, [39], [54]) can be used for evaluating GP models, taking into account not only mean prediction but the entire predicted distribution:

$$\text{LD} = \frac{1}{2} \log(2\pi) + \frac{1}{2N} \sum_{i=1}^N \left(\log(\sigma_i^2) + \frac{e_i^2}{\sigma_i^2} \right) \quad (14)$$

where σ_i^2 is the prediction variance in i -th step of simulation. Performance measure LD weights the prediction error e_i more heavily when it is accompanied with smaller predicted variance σ_i^2 , thus penalising overconfident predictions more than acknowledged bad predictions, indicated by higher variance. Another possible performance measure, applicable in the training procedure, is the negative log-likelihood of the training data (LL, [39]):

$$\text{LL} = \frac{1}{2} \log |\mathbf{K}| + \frac{1}{2} \mathbf{y}^T \mathbf{K}^{-1} \mathbf{y} + \frac{N}{2} \log(2\pi), \quad (15)$$

where \mathbf{K} is the covariance matrix, \mathbf{y} is the vector of targets and N is the number of training points. LL is the measure

inherent to the hyperparameter optimisation process, see (5), and gives the likelihood that the training data is generated by given, *i.e.* trained, model. The smaller the MRSE, LD and LL are, the better the model is.

Variance of the model predictions on a validation signal can be a validation measure itself, as it indicates whether the model operates in the region, where identification data were available. Nevertheless, it should be used carefully and in combinations with other validation tools, as predictions with small variance are not necessary good.

Model *purposiveness* or usefulness tells whether or not the model satisfies its purpose, which means the model is validated when the problem that motivated the modelling exercise can be solved using the obtained model. Here, again, the prediction variance can be used, *e.g.* when the prediction confidence is too low, the model can be labelled as not purposive.

IV. SURVEY OF PUBLICATIONS ON GAUSSIAN PROCESS MODELS OF DYNAMIC SYSTEMS

The GP model was first used for solving a regression problem in the late 1970s, but it only gained popularity within the machine-learning community in the late 1990s. Furthermore, the results of a possible implementation of the GP model for the identification of dynamic systems were presented as recent as the last decade.

After what can be described as initial publications in year 1999 [4], year 2000 [5], [6] and year 2001 [7], [8], numbers of publications start to grow. Numerous publications on conferences and as internal, but publicly available publications occurred in years 2002 [9]-[19], 2003 [20]-[37] and 2004 [38]-[45]. After the first journal publication in year 2003 [24], publications in years 2005 [46]-[68], 2006 [69]-[81] and 2007 [82]-[97] contain more versatile publications including journal papers, book chapters and books mentioning use of GP models for the modelling of dynamic systems. In spite of efforts to be very thorough it is possible that the list of publications until year 2007 is not complete, but it certainly represents the majority of publications on Gaussian process models of dynamic systems.

These publications have explored use of Gaussian process models for various applications:

- dynamic systems modelling, *e.g.*, [10],[11],[27],[65]
- time-series prediction, *e.g.*, [7],[73],
- dynamic systems control, *e.g.*, [12],[13],[18],[55],
- fault detection, *e.g.*, [74],
- smoothing, *e.g.*, [82],
- etc.

The utility to provide the information about the model prediction confidence made Gaussian process models attractive for modelling case studies in various domains like: chemical engineering [91] and process control [93], biomedical engineering [84], biological systems [83], environmental systems [73], power systems [43] and engineering [60], motion recognition [65], etc., to list just a few. It is worth noticing that the utility of Gaussian process modelling could

be interesting also for use in other domains and applications therein.

V. CONCLUSIONS

In this paper it is explained how the Gaussian process model is used for dynamic systems identification with emphasis on some of its properties: model predictions containing the measure of confidence, low number of parameters and facilitated structure determination.

The prediction variance is one of the main differences between the GP model and other black box models. It can be effectively used in the usefulness validation, where the lack of confidence in the model prediction can serve as the grounds to reject the model as not useful. The prediction variance can also be used in falseness validation, whether via specific performance measures such as log-predictive density error, or through observation of confidence limits around the predicted output. Despite its usefulness in model validation, it should be accompanied with standard validation tools, as the small variance does not necessarily mean that the model is of good quality.

In the validation based regressor selection procedure the log-predictive density error and the log-likelihood of the training data can be useful in selecting model regressors. In the case of normalised inputs, the model hyperparameters indicate the influence of corresponding regressors and can be used as a tool for removal of non-influential regressors at the regressor selection stage of the model selection.

Small amounts of data relative to the number of selected regressors, data corrupted with noise and measurement errors and the need for the measure of model prediction confidence could be the reasons to select identification with the GP model. If there is not enough data or it is heavily corrupted with noise, even the GP model cannot perform well, but in that case the inadequacy of the model and the identification data is indicated through higher variance of the predictions.

The short survey and bibliography on Gaussian process models for dynamic systems shows that the interest in this modelling approach and its applications is growing. Published results have shown the GP model's potential for the identification of nonlinear dynamic systems and where the advantages of the GP model could be effectively used, *e.g.*, for control design, diagnostic system design etc.

VI. ACKNOWLEDGMENTS

The author gratefully acknowledges the support of the Slovenian Research Agency Grant No. P2-0001.

REFERENCES

- [1] N. Hvala, S. Strmčnik, D. Šel, S. Milanič and B. Banko. Influence of model validation on proper selection of process models — an industrial case study. *Computers and Chemical Engineering*, 2005, **29**, 1507–1522.
- [2] D.J. Murray-Smith. Methods for the external validation of continuous system simulation models: a review. *Mathematical and Computer Modelling of Dynamical Systems*, 1998, **4**, 5–31.
- [3] J. Quiñonero-Candela and C.E. Rasmussen. Analysis of Some Methods for Reduced Rank Gaussian Process Regression. In: Murray-Smith, R. and Shorten R. (Eds.), *Switching and Learning in Feedback Systems*, Lecture Notes in Computer Science, Vol. 3355, 2005.

Published references on Gaussian process models of dynamic systems and their publications listed by publishing year

1999

- [4] R. Murray-Smith, T. A. Johansen, R. Shorten. On transient dynamics, off-equilibrium behaviour and identification in blended multiple model structures. In *Proceedings of European Control Conference*, Paper BA-14, Karlsruhe, 1999.

2000

- [5] D. J. Leith, R. Murray-Smith, and W. E. Leithead. Nonlinear structure identification: A Gaussian process/velocity-based approach. In *Proceedings of the UKACC Control Conference*, Cambridge, 2000.
- [6] W. E. Leithead, D. J. Leith, and R. Murray-Smith. A Gaussian Process prior/Velocity-based Framework for Nonlinear Modelling and Control. In *Irish Signals and Systems Conference*, Dublin, 2000.

2001

- [7] V. Babovic and M. Keijzer. A Gaussian process model applied to prediction of the water levels in Venice lagoon. In *Proceedings of the XXIX Congress of International Association for Hydraulic Research*, 2001.
- [8] R. Murray-Smith and A. Girard. Gaussian process priors with ARMA noise models. In *Proceedings of Irish Signals and Systems Conference*, Pages 147-152, Maynooth, 2001.

2002

- [9] B. Banko and J. Kocijan. Uporaba Gaussovih procesov za identifikacijo nelinearnih sistemov. In B. Zajc, editor, *Zbornik enajste elektrotehniške in računalniške konference ERK*, Volume A, pages 323-326, Portorož, 2002. (in Slovene).
- [10] A. Girard, C. E. Rasmussen, and R. Murray-Smith. Gaussian process priors with uncertain inputs: multiple-step-ahead prediction. Technical Report DCS TR-2002-119, University of Glasgow, Glasgow, 2002.
- [11] G. Gregorčič and G. Lightbody. Gaussian processes for modelling of dynamic non-linear systems. In *Proceedings of Irish Signals and Systems Conference*, Cork, Pages 141-147, Cork, June 2002.
- [12] G. Gregorčič and G. Lightbody. Gaussian processes for internal model control. In A. Rakar, editor, *Proceedings of 3rd International PhD Workshop on Advances in Supervision and Control Systems*, A Young Generation Viewpoint, Pages 39-46, Strunjan, 2002.
- [13] J. Kocijan. Gaussian process model based predictive control. Technical Report DP-8710, Institut Jožef Stefan, Ljubljana, 2002.
- [14] J. Kocijan, B. Likar, B. Banko, A. Girard, R. Murray-Smith, and C. E. Rasmussen. Identification of pH neutralization process with neural networks and Gaussian process model: MAC project. Technical Report DP-8575, Institut Jožef Stefan, Ljubljana, 2002.
- [15] D. Leith. Determining nonlinear structure in time series data. In *Proceedings of Workshop on Modern Methods for Data Intensive Modelling*, Maynooth, 2002. NUI Maynooth.
- [16] D. J. Leith, W. E. Leithead, E. Solak, and R. Murray-Smith. Divide and conquer identification using Gaussian processes. In *Proceedings of the 41st Conference on Decision and Control*, Pages 624-629, Las Vegas, AZ, 2002.
- [17] D. J. Leith, W. E. Leithead, E. Solak, and R. Murray-Smith. Divide and conquer identification using Gaussian processes. In *Proceedings of Workshop on non-linear and non-Gaussian signal processing*, Peebles, UK, 2002.
- [18] R. Murray-Smith and D. Sbarbaro. Nonlinear adaptive control using nonparametric Gaussian process prior models. In *Proceedings of IFAC 15th World Congress*, Barcelona, 2002.
- [19] R. Murray-Smith, R. Shorten, and D. Leith. Nonparametric models of dynamic systems. In C. Cowans, editor, *Proceedings of IEE Workshop on Nonlinear and Non-Gaussian signal processing - N2SP*, Peebles, UK, 2002.

- [20] A. Girard, C. E. Rasmussen, J. Quinero-Candela, and R. Murray-Smith. Bayesian regression and Gaussian process priors with uncertain inputs - application to multiple-step ahead time series forecasting. In S. Becker, S. Thrun, and K. Obermayer, editors, *Advances in Neural Information Processing Systems conference*, Volume 15, Pages 529-536. MIT Press, 2003.
- [21] G. Gray, R. Murray-Smith, K. Thompson, and D. J. Murray-Smith. Tutorial example of Gaussian process prior modelling applied to twin-tank system. Technical Report DCS TR-2003-151, University of Glasgow, Glasgow, 2003.
- [22] G. Gregorčič and G. Lightbody. Internal model control based on Gaussian process prior model. In *Proceedings of the 2003 American Control Conference (ACC)*, pages 4981-4986, Denver, CO, June 2003.
- [23] G. Gregorčič and G. Lightbody. From multiple model networks to the Gaussian processes prior model. In *Proceedings of IFAC ICONS conference*, Pages 149-154, Faro, 2003.
- [24] G. Gregorčič and G. Lightbody. An affine Gaussian process approach for nonlinear system identification. *Systems Science Journal*, Volume 29, Issue 2, Pages 47-63, 2003.
- [25] J. Hansen. Using Gaussian processes as a modelling tool in control systems. Technical Report DCS TR-2003, University of Glasgow, Glasgow, 2003.
- [26] J. Kocijan, B. Banko, B. Likar, A. Girard, R. Murray-Smith, and C. E. Rasmussen. A case based comparison of identification with neural networks and Gaussian process models. In *Proceedings of IFAC ICONS conference*, Volume 1, Pages 137-142, Faro, 2003.
- [27] J. Kocijan, A. Girard, B. Banko, and R. Murray-Smith. Dynamic systems identification with Gaussian processes. In I. Troch and F. Breitenacker, editors, *Proceedings of 4th IMACS Symposium on Mathematical Modelling (MathMod)*, pages 776-784, Vienna, 2003.
- [28] J. Kocijan, A. Girard, and D. J. Leith. Incorporating linear local models in Gaussian process model. Technical Report DP-8895, Institut Jožef Stefan, Ljubljana, December 2003.
- [29] J. Kocijan, R. Murray-Smith, C. E. Rasmussen, and B. Likar. Predictive control with Gaussian process models. In B. Zajc and M. Tkalcic, editors, *The IEEE Region 8 EUROCON 2003: computer as a tool*, Volume A, Pages 352-356, Ljubljana, 2003.
- [30] D. J. Leith and W. E. Leithead. Nonlinear structure identification with application to Wiener-Hammerstein systems. In *Proceedings of 13th IFAC Symposium on System Identification*, Rotterdam, 2003.
- [31] W. E. Leithead, E. Solak, and D. J. Leith. Direct identification of nonlinear structure using Gaussian process prior models. In *Proceedings of European Control Conference*, Cambridge, 2003.
- [32] R. Murray-Smith, D. Sbarbaro, C. E. Rasmussen, and A. Girard. Adaptive, cautious, predictive control with Gaussian process priors. In *Proceedings of 13th IFAC Symposium on System Identification*, Pages 1195-1200, Rotterdam, 2003.
- [33] J. Quinero-Candela and A. Girard. Prediction at uncertain input for Gaussian processes and relevance vector machines - Application to multiple-step ahead time-series forecasting. Technical Report IMM-2003-18, Technical University Denmark, Informatics and Mathematical Modelling, Kongens Lyngby, 2003.
- [34] J. Quinero-Candela, A. Girard, J. Larsen, and C. E. Rasmussen. Propagation of uncertainty in Bayesian kernel models - Application to multiple-step ahead forecasting. In *Proceedings of IEEE International Conference on Acoustics, Speech and Signal Processing (ICASSP)*, Volume 2, Pages 701-704, 2003.
- [35] C. E. Rasmussen and M. Kuss. Gaussian processes in reinforcement learning. In S. Thrun, L. K. Saul, and B. Schölkopf, editors, *Advances in Neural Information Processing Systems conference*, Volume 16, Pages 751-759. MIT Press, 2004.
- [36] D. Sbarbaro and R. Murray-Smith. Self-tuning control of nonlinear systems using Gaussian process prior models. Technical Report DCS TR-2003-143, University of Glasgow, Glasgow, 2003.
- [37] E. Solak, R. Murray-Smith, W. E. Leithead, D. J. Leith, and C. E. Rasmussen. Derivative observations in Gaussian process models of dynamic systems. In S. Becker, S. Thrun, and K. Obermayer, editors, *Advances in Neural Information Processing Systems conference*, Volume 15, Pages 529-536. MIT Press, 2003.

- [38] K. Ažman. Identifikacija dinamičnih sistemov z Gaussovimi procesi z vključenimi lokalnimi modeli. Master's thesis, Univerza v Ljubljani, Ljubljana, September 2004. (in Slovene).
- [39] A. Girard. Approximate methods for propagation of uncertainty with Gaussian process models. PhD thesis, University of Glasgow, Glasgow, 2004.
- [40] G. Gregorčič. Data-based modelling of nonlinear systems for control. PhD thesis, University College Cork, National University of Ireland, Cork, 2004.
- [41] J. Kocijan and D. J. Leith. Derivative observations used in predictive control. In *Proceedings of Melecon 2004*, Volume 1, Pages 379-382, Dubrovnik, 12.-15. May 2004.
- [42] J. Kocijan, R. Murray-Smith, C. E. Rasmussen, and A. Girard. Gaussian process model based predictive control. In *Proceedings of the 2004 American Control Conference (ACC)*, Pages 2214-2218, Boston, MA, 30. June-2. July 2004.
- [43] D. J. Leith, M. Heidl and J. Ringwood. Gaussian process prior models for electrical load forecasting. In *2004 International Conference on Probabilistic Methods Applied to Power Systems*, Pages 112-117, 2004.
- [44] B. Likar. Prediktivno vodenje nelinearnih sistemov na osnovi Gaussovih procesov. Master's thesis, Univerza v Ljubljani, Ljubljana, September 2004. (in Slovene).
- [45] D. Sbarbaro, R. Murray-Smith, and A. Valdes. Multivariable generalized minimum variance control based on artificial neural networks and Gaussian process models. In *International Symposium on Neural Networks*. Springer Verlag, 2004.

2005

- [46] K. Ažman. Incorporating prior knowledge into Gaussian process model. In *Proceedings of 6th International PhD Workshop on Systems and Control - A Young Generation Viewpoint*, Volume A, Pages 253-256, Izola, 2005.
- [47] K. Ažman and J. Kocijan. An example of Gaussian process model identification. In L. Budin and S. Ribarić, editors, *Proceedings of 28th International conference MIPRO, CIS - Intelligent Systems*, Pages 79-84, Opatija, maj 2005.
- [48] K. Ažman and J. Kocijan. Identifikacija dinamičnega sistema s histerozo z modelom na osnovi Gaussovih procesov. In B. Zajc and A. Trost, editors, *Zbornik štirinajste elektrotehniške in računalniške konference ERK*, Volume A, Pages 253-256, Portorož, 2005. (in Slovene).
- [49] K. Ažman and J. Kocijan. Comprising prior knowledge in dynamic Gaussian process models. In *Proceedings of the International Conference on Computer Systems and Technologies - CompSysTech*, Pages IIIB.2-1 – IIIB.2-6, Varna, 2005.
- [50] B. Grašič. Napovedovanje povišanih koncentracij ozona z uporabo umetnih nevronske mreže, Gaussovih procesov in mehke logike. Master's thesis, Univerza v Ljubljani, Ljubljana, 2005. (in Slovene).
- [51] G. Gregorčič and G. Lightbody. Gaussian process approaches to nonlinear modelling and control. In A. Ruano, editor, *Intelligent control systems using computational intelligence techniques*, IEE Intelligent Control Series. IEE, 2005.
- [52] J. Hansen, R. Murray-Smith, and T. A. Johansen. Nonparametric identification of linearizations and uncertainty using Gaussian process models - application to robust wheel slip control. In *Joint 44th IEEE conference on decision and control and European control conference CDC-ECC 2005*, Pages 7994-7999, Sevilla, 2005.
- [53] J. Kocijan and A. Girard. Incorporating linear local models in Gaussian process model. In *Proceedings of IFAC 16th World Congress*, Praga, 2005.
- [54] J. Kocijan, A. Girard, B. Banko, and R. Murray-Smith. Dynamic systems identification with Gaussian processes. *Mathematical and Computer Modelling of Dynamic Systems*, Volume 11, Issue 4, Pages 411-424, December 2005.
- [55] J. Kocijan and R. Murray-Smith. Nonlinear predictive control with Gaussian process model. In *Switching and Learning in Feedback Systems*, volume 3355 of Lecture Notes in Computer Science, Pages 185-200. Springer, Heidelberg, 2005.
- [56] W. E. Leithead. Identification of nonlinear dynamic systems by combining equilibrium and off-equilibrium information. In *Proceedings of International Conference on Industrial Electronics and Control Applications (ICIECA)*, Quito, 2005.

of International Conference on Industrial Electronics and Control Applications (ICIECA), Quito, 2005.

- [57] W. E. Leithead, K. S. Neo, and D. J. Leith. Gaussian regression based on models with two stochastic processes. In *Proceedings of IFAC 16th World Congress*, Praga, 2005.
- [58] W. E. Leithead, Y. Zhang, and D. J. Leith. Efficient hyperparameter estimation of Gaussian process regression based on quasi-Newton BFGS update and power series approximation. In *Proceedings of IFAC 16th World Congress*, Praga, 2005.
- [59] W. E. Leithead, Y. Zhang, and D. J. Leith. Time-series Gaussian process regression based on Toeplitz computation of $O(N^2)$ operations and $O(N)$ level storage. In *Joint 44th IEEE conference on decision and control and European control conference CDC-ECC 2005*, Sevilla, 2005.
- [60] W. E. Leithead, Y. Zhang, and K.S. Neo. Wind turbine rotor acceleration: Identification using Gaussian regression. In *Proceedings of International conference on informatics in control automation and robotics (ICINCO)*, Barcelona, 2005.
- [61] R. Murray-Smith, B. A. Pearlmuter. Transformations of Gaussian Process priors. In *Deterministic and Statistical Methods in Machine Learning*, Volume 3536 of Lecture Notes in Artificial Intelligence, Pages 110-123. Springer, Heidelberg, 2005.
- [62] R. Palm. Multi-step-ahead prediction with Gaussian processes and TS-fuzzy models. In *Proceedings of 14th IEEE International Conference on Fuzzy Systems*, Pages 945-950, 2005.
- [63] D. Sbarbaro and R. Murray-Smith. Self-tuning control of nonlinear systems using Gaussian process prior models. In *Switching and Learning in Feedback Systems*, Volume 3355 of Lecture Notes in Computer Science, Pages 140-157. Springer, Heidelberg, 2005.
- [64] J. Q. Shi, R. Murray-Smith, and D. M. Titterton. Hierarchical Gaussian process mixtures for regression. *Statistics and Computing*, Volume 15, Pages 31-41, 2005.
- [65] J. M. Wang, D. J. Fleet, and A. Hertzmann. Gaussian process dynamical models. In *Advances in Neural Information Processing Systems*, Volume 18, Pages 1441-1448. MIT Press, 2005.
- [66] Z.-H. Xiong, W.-Q. Zhang, Y. Zhao, H.-H. Shao. Thermal parameter soft sensor based on the mixture of Gaussian processes. *Zhongguo Dianji Gongcheng Xuebao (Proc. Chin. Soc. Electr. Eng.)*, Volume 25, Issue 7, Pages 30-33, 2005.
- [67] Z.-H. Xiong, H.-B. Yang, Y.-F. Wu, H.-H. Shao. Sparse GP-based soft sensor applied to the power plant. *Zhongguo Dianji Gongcheng Xuebao (Proc. Chin. Soc. Electr. Eng.)*, Volume 25, Issue 8, Pages 130-133, 2005.
- [68] Y. Zhang and W. E. Leithead. Exploiting Hessian matrix and trust region algorithm in hyperparameters estimation of Gaussian process. *Applied Mathematics and Computation*, Volume 171, Issue 2, Pages 1264 - 1281, 2005.

2006

- [69] K. Ažman and J. Kocijan. Gaussian process model validation: biotechnological case studies. In I. Troch and F. Breiteneker, editors, *Proceedings of the 5th Vienna Symposium on Mathematical Modeling - MathMod*, Vienna, 2006.
- [70] K. Ažman and J. Kocijan. Identifikacija dinamičnega sistema z znanim modelom šuma z modelom na osnovi Gaussovih procesov. In B. Zajc and A. Trost, editors, *Zbornik petajste elektrotehniške in računalniške konference ERK*, Volume A, Pages 289-292, Portorož, 2006. (in Slovene).
- [71] K. Ažman and J. Kocijan. An application of Gaussian process models for control design. In *UKACC International Control Conference*, Glasgow, 2006.
- [72] P. Boyle. Gaussian processes for regression and optimisation. PhD thesis, Victoria University of Wellington, Wellington, New Zealand, 2006.
- [73] B. Grašič, P. Mlakar, and M. Z. Božnar. Ozone prediction based on neural networks and Gaussian processes. *Nuovo Cimento della Societa Italiana di Fisica, Sect. C*, Volume 29, Issue 6, Pages 651-662, 2006.
- [74] Dj. Juričić and J. Kocijan. Fault detection based on Gaussian process model. In I. Troch and F. Breiteneker, editors, *Proceedings of the 5th Vienna Symposium on Mathematical Modeling - MathMod*, Vienna, 2006.
- [75] M. Kuss. Gaussian process models for robust regression, classifica-

tion and reinforcement learning. PhD thesis, Technische Universitaet Darmstadt, Darmstadt, 2006.

- [76] D. J. Leith, R. Murray-Smith, and W. E. Leithead. Inference of disjoint linear and nonlinear subdomains of a nonlinear mapping. *Automatica*, Volume 42, Issue 5, Pages 849-858, May 2006.
- [77] K. Moon, V. Pavlović. Impact of dynamics on subspace embedding and tracking of sequences. In *Proceedings - 2006 IEEE Computer Society Conference on Computer Vision and Pattern Recognition, CVPR 2006* Volume 1, Pages 198-205, 2006.
- [78] K. S. Neo, W. E. Leithead, and Y. Zhang. Multi frequency scale Gaussian regression for noisy time-series data. In *UKACC International Control Conference*, Glasgow, 2006.
- [79] C.E. Rasmussen and C.K.I. Williams. *Gaussian Processes for machine learning*. The MIT Press, Cambridge, MA, 2006.
- [80] K. Thompson and D. J. Murray-Smith. Implementation of Gaussian process models for nonlinear system identification. In I. Troch and F. Breitenecker, editors, *Proceedings of the 5th Vienna Symposium on Mathematical Modeling - MathMod*, Vienna, 2006.
- [81] R. Urtasun, D. J. Fleet, P. Fua. 3D people tracking with Gaussian process dynamical models. In *Proceedings - 2006 IEEE Computer Society Conference on Computer Vision and Pattern Recognition, CVPR 2006* Volume 1, Pages 238-245, 2006.
- 2007**
- [82] K. Ažman. Identifikacija dinamičnih sistemov z Gaussovimi procesi. PhD thesis, Univerza v Ljubljani, Ljubljana, 2007. (in Slovene).
- [83] K. Ažman and J. Kocijan. Application of Gaussian processes for black-box modelling of biosystems. *ISA Transactions*, Volume 46, Issue 4, Pages 443-457, 2007.
- [84] S. Faul, G. Gregorčič, G. Boylan, W. Marnane, S. Lightbody, G. Connolly. Gaussian process modelling of EEG for the detection of neonatal seizures. *IEEE Transactions on Biomedical Engineering*, Volume 54, Issue 12, Pages: 2151 – 2162, 2007.
- [85] A. Grancharova, J. Kocijan and T. A. Johansen. Explicit stochastic nonlinear predictive control based on Gaussian process models. In *Proceedings of the European Control Conference 2007*, Pages 2340-2347, Kos, 2007.
- [86] G. Gregorčič and G. Lightbody. Local model identification with Gaussian processes. *IEEE Transactions on neural networks*, Volume 18, Issue 5, Pages 1404-1423, 2007.
- [87] Hachino, T. Kadiramanathan, V. Time Series Forecasting Using Multiple Gaussian Process Prior Model. In *IEEE Symposium on Computational Intelligence and Data Mining*, 2007. CIDM 2007. Pages 604-609, 2007.
- [88] J. Kocijan. Identifikacija nelinearnih sistemov z Gaussovimi procesi. *Modeliranje dinamičnih sistemov z umetnimi nevronskimi mrežami in sorodnimi metodami*. Univerza v Novi Gorici, 2007, Pages 73-86. (in Slovene).
- [89] J. Kocijan and K. Ažman. Gaussian Process Model Identification: A Process Engineering Case Study. In *Proceedings of the 16th International Conference on Systems Science*, Volume 1, Pages 418 - 427, Wroclaw, 2007.
- [90] J. Kocijan, K. Ažman and A. Grancharova. The Concept for Gaussian Process Model Based System Identification Toolbox. In *Proceedings of the International Conference on Computer Systems and Technologies - CompSysTech*, Pages IIIA.23-1 - IIIA.23-6, Rouse, 2007.
- [91] J. Kocijan, B. Likar. Gas-Liquid Separator Modelling and Simulation with Gaussian Process Models. In *Proceedings of the 6th EUROSIM Congress on Modelling and Simulation - EUROSIM 2007*, 7 pages, Ljubljana, 2007.
- [92] W. E. Leithead, Y. Zhang. O(N²)-operation approximation of covariance matrix inverse in Gaussian process regression based on quasi-Newton BFGS method. *Communications In Statistics-Simulation And Computation*, Volume 36, Issue 2, Pages 367-380, 2007.
- [93] B. Likar and J. Kocijan. Predictive control of a gas-liquid separation plant based on a Gaussian process model. *Computers and Chemical Engineering*, Volume 31, Issue 3, Pages 142-152, 2007.
- [94] M. Neve, G. De Nicolao, and L. Marchesi. Nonparametric identification of population models via Gaussian processes. *Automatica*, Volume 43, Issue 7, Pages 1134-1144, 2007.
- [95] R. Palm. Multiple-step-ahead prediction in control systems with Gaussian process models and TS-fuzzy models. *Engineering Applications of Artificial Intelligence*, Volume 20, Issue 8, Pages 1023-1035, 2007.
- [96] J. M. Wang, D. J. Fleet, and A. Hertzmann. Multifactor Gaussian Process models for style-content separation. *International Conference on Machine Learning (ICML)*, Oregon, 2007.
- [97] Y. Zhang, W. E. Leithead. Approximate implementation of the logarithm of the matrix determinant in Gaussian process regression. *Journal Of Statistical Computation And Simulation*, Volume 77, Issue 4, Pages 329-348, 2007.